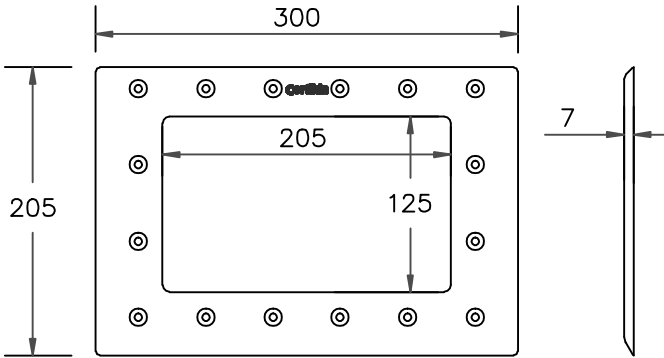
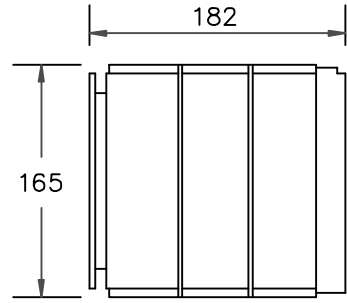
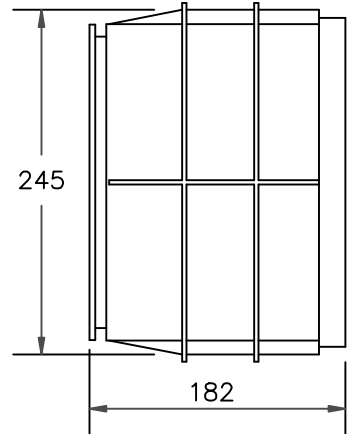


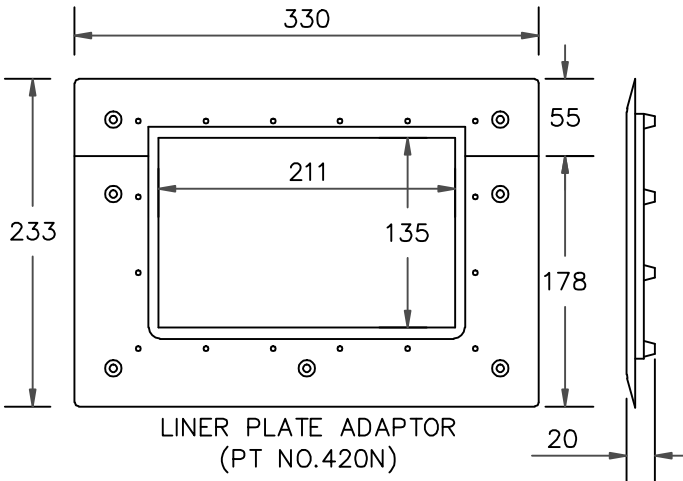
PARALLEL EXTENSION THROAT



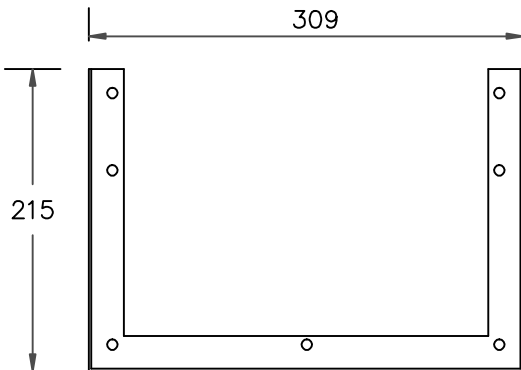
FRONT FINISHING PLATE  
(PT NO. 419N)



PARALLEL EXTENSION THROAT



LINER PLATE ADAPTOR  
(PT NO. 420N)



CLAMP PLATE  
(PT NO. 418N)

**Certikin**  
international ltd

WITAN PARK, AVENUE 2, STATION  
LANE INDUSTRIAL ESTATE, WITNEY,  
OXFORDSHIRE, OX28 6FJ, ENGLAND

Tel: +44 (0)1993 777200  
Fax: +44 (0)1993 778620

Title: PARALLEL EXTENSION THROAT  
(LINER)

Drawn by:	Name <b>M.L</b>	Date <b>08/12/11</b>
Scale: <b>1:5@A4</b>	This drawing is the property of Certikin International Ltd. As such the copyright is protected and copies can only be obtained by prior permission of Certikin International Ltd.	
PRODUCT CODE <b>HD102LN</b>	Rev. ★	